



 glastik

ACOUSTIC
& WOOD
SOLUTIONS





Content:

PRODUCTS	
Ceiling panel system	4
Wall panel system	6
Suspended ceiling	8
Wall finishing system	10
Acoustical elements	12
Doors, access panels	14
DRAWINGS	
Solo perforation types	16
Solo ceiling systems	18
Solo linear systems	19
Clip In and PIN system	20
MATERIALS	
Core boards, acoustic fleece	22
Finishing materials	23

Perfect choice

The company Glastik was established in 2007 and through successful operating results has become one of the leading producers of the wood finishing materials in Baltic region. It has accumulated extensive experience in wood finishing projects taking part in many important Europe level projects.

The flexibility and individual approach to each project as well as cooperation with experts in various industries promotes the development of high-quality and cost-effective products.

The tree is the oldest building material with excellent aesthetic and technical characteristics highly valued for many centuries and it is ideal for use as a decorative finish also indoor as it creates a pleasant atmosphere and an ecological micro-climate. Due to its characteristics the wood is easily processed and combined with other ecological materials and therefore it is possible to create products characterized by a high fire retardance and moisture resistance. The properties of wood panels allow them to be used for both facades and escape routes. However, wooden surface resistance, acoustic properties and fantastic design features form the greatest value of this type of finishing.

Only high-quality wood raw material is used in the production process. Broad design options of the veneer make unique any project and the style solution creating inimitable character for the rooms. Every tree trunk is different; therefore the product manufactured is also a single to a certain extent. The cutting-edge technologies and equipment as well as high-quality raw materials produced in EU are used in the production process. The company products are CE certified and has fire retardant properties and this is confirmed by the B-s1, d0 reaction to fire class in accordance with a European standard EN 13501-1.

Many years of experience in different projects allow the company to take the production of the timber products characterized with different complexity and shapes. We carefully follow the production process and final product quality because we like what we do. We will be happy if our products can also complement your space.

Our mission:
to make your life more beautiful.



References:

- Ministry of Environment, Warsaw, Poland
- Krematoriet, Tromsø, Norway
- Odense Teater, Odense, Denmark
- University of Technology Czestochowa, Poland
- Fields, Copenhagen, Denmark



Ceiling panel system

Polish Committee for Standardization
Warsaw, Poland

Solo Collection

A human physical and emotional comfort, ability to work and the mood are affected to a great extent by indoor environmental quality. Unwanted pollution is caused not only by urban dust, but also by unpleasant noises, echoes and sounds from adjacent rooms. These problems can be avoided by using acoustic finishing materials in the room setting.

The company Glastik offers several types of acoustic finishing materials. One of them is Solo wall and ceiling panel the main function of which is to provide acoustics and visual comfort in private and public spaces. Acoustic finishing panels are not just functional products but they are also characterized by high-quality style aesthetics.

The ceiling is one of the largest space planes that carries out background and light dispersing function and takes care of personal psychological perception. Constructive and well thought ceiling solutions make the room comfortable and pleasant, help to concentrate on work and relax in a home atmosphere.

In order to improve acoustic comfort plates are perforated and for sound deadening wool and acoustic fleece are also used. This system includes different panel edge treatment that allows these panels to lay in a ceiling carrying structure in various ways – with visible and hidden design.

Construction

Solo system can lay in two types of constructions.

T-15/T-24 system is a standard suspension design for suspended ceiling available in various shades and ways of fixing.

PIN system is designed for panels with invisible suspension design with panels not wider than 800mm with length up to 3000mm. It can be used to hang not only rectangular shaped panels but any kind of shape.



Suspended acoustic ceiling panel benefits:

1. Attractiveness and rational use of the product is provided by the diversity of size, design solutions and finishing;
2. By using suspended ceiling systems made mainly of wood you can obtain perfect room acoustics and a cosy atmosphere.
3. The ceiling panels from Solo collection are resistant to deformation and retain their original geometry throughout their lifetime. They are easy to maintain.

Panels are available in different sizes, plain or with fifteen standard types of perforation or many more custom designed or according to customers specification, with core of MDF or, in case of increased fire safety requirements, with core of Gypsum Fiberboard that provides B-s1, d0 reaction to fire class in accordance with a European standard EN 13501-1. For surface finish it is possible to use natural or modified veneers, high pressure laminates as well as to be painted according to RAL or NCS shades catalogue.



Wall panel system

Lubartow, Poland

Solo Collection

Solo wall panels offer a great opportunity to make your room interior interesting, unique and cosy. Wooden texture will decorate monotone planes and create interesting accents. Wood warmth makes the room more comfortable, besides the Solo panels are very functional. They protect the wall from mechanical damages caused by chairs, are easy to maintain and improve the acoustic properties of the room. Since the panels are attached to metal structures they can be easily removed and replaced in case of damage. Special corners protection elements can be integrated into the wall panel system, particularly in the outer corners where it is always essential.

Construction

Two different construction types are available for the Solo system. The PIN system is developed for direct attachment to the wall with a minimum distance from it. This system also allows smoothing out level differences. The panels are bound and cannot be opened. Access panels can be integrated into the wall panel or ceiling panel up on request or supplied separately in order to be installed on site. B-s1, d0 access panels are available on request. Using the Clip In system makes it possible to level very uneven walls up to 50 mm, and every panel can be opened separately. No access panels are needed.



Wall panel benefits:

1. Acoustic panels are an invaluable solution for cinemas, hotels, theaters, conference rooms as well as for any room where it is necessary to create a high level of acoustic comfort and absorb the unpleasant sound frequencies. They are suitable for decoration in private houses as they diminish the unpleasant echo in broad halls and panels are also useful for home music recording studio finishing.
2. Acoustic finishing panels are not just functional products; they also have high-quality design aesthetics. Acoustic finishing panels often become the original room design accent.
3. The collection of Solo wall finishing panels offers a variety of sizes – up to 3000mm in length. There are different types of perforations and a wide range of finishing solutions: painting, lamination, veneering, decorative aluminum element incorporation, etc. Panels are available in different sizes, plain or with fifteen standard types of perforation or many more custom designed or according to customers specification, with core of MDF or, in case of increased fire safety requirements, with core of Gypsum Fiberboard that provides B-s1, d0 reaction to fire class in accordance with a European standard EN 13501-1. For surface finish it is possible to use natural or modified veneers, high pressure laminates as well as to be painted according to RAL or NCS shades catalogue.





Suspended ceiling

Vestjællandscentret, Slagelse, Denmark

Solo Linear Collection

Solo Linear slatted grid-type ceiling system is a modern ceiling finishing solution. Its sound diffusion and wooden aesthetic properties have a beneficial effect. A good choice for sports halls and shopping centers in case the communication systems which are located at the ceiling have to be concealed.

The gaps between the ceiling plates do not create massive ceiling plane. The ceiling open construction allows controlling communication routine work and quickly identifying the points of the problems. But the slatted panels may also be used as a decorative accent to reduce the monotony of large planes.

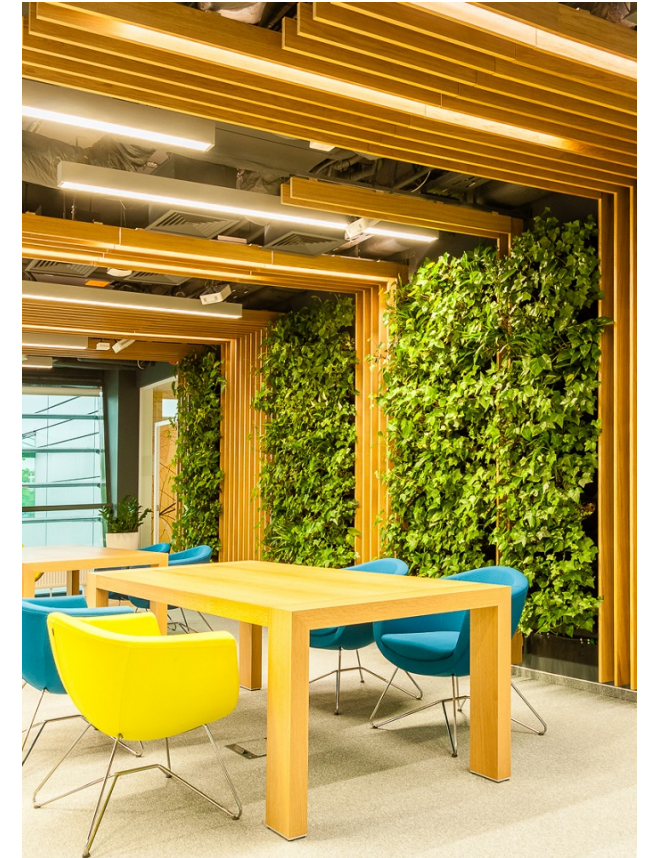
Construction

The Solo Linear ceiling system can be used in three types of constructions.

T-15/T-24 system is a standard suspension design for suspended ceiling available in various shades and ways of fixing.

The Clip In system is designed for easy panel installation and opening it in any place with light transparent see through look, galvanized or painted according to RAL or NCS catalogue.

Standard CD/UD suspended profile system is designed for easy panel installation and opening it in any place, galvanized or painted according to RAL or NCS catalogue.



Ceiling panel benefits:

1. Solo Linear ceiling system consists of plates forming the ceiling panel. Using this type of open ceiling the room communications may remain behind the ceiling plane.
 2. Available in numerous designs, sizes and shapes an finishing.
 3. Safe exploitation of the ceiling.
- Panels are available in different sizes, with core of MDF, Plywood or, in case of increased fire safety requirements, with core of Fire Retardant MDF or Fire Retardant plywood that provides B-s1, d0 reaction to fire class in accordance with a European standard EN 13501-1. For surface finish it is possible to use natural or modified veneers, high pressure laminates as well as to be painted according to RAL or NCS shades catalogue.



Wall finishing system

Vestsjællandscentret,
Slagelse, Denmark

Solo Linear Collection

Solo Linear slatted grid-type wall is an unconventional wall finishing solution. The open shape of the panel allows operating the heating elements mounted at the wall. Architectural and linear accent is often required in a modern setting. Linear style and wooden structure interaction create a very interesting harmony. A suitable solution for sports halls, shopping centers, offices and facades.

Construction

The Solo system can be mounted in two types of constructions.

The Clip In system is designed for easy panel installation and opening it in any place with light transparent see through look, galvanized or painted according to RAL or NCS catalogue.

Standard CD/UD suspended profile system is designed for easy panel installation and opening it in any place, galvanized or painted according to RAL or NCS catalogue.



Finishing panel benefits:

1. Solo Linear wall system consists of plates forming the ceiling panel. Using this type of open ceiling the room communications may remain behind the ceiling plane.
2. Available in numerous designs, sizes and shapes an finishing.
3. Safe exploitation of the ceiling.

Panels are available in different sizes, with core of MDF, Plywood or, in case of increased fire safety requirements, with core of Fire Retardant MDF or Fire Retardant plywood that provides B-s1, d0 reaction to fire class in accordance with a European standard EN 13501-1. For surface finish it is possible to use natural or modified veneers, high pressure laminates as well as to be painted according to RAL or NCS shades catalogue.





Acoustic elements

Music school,
Saldus, Latvia

The Forte sound reflectors

Sound Diffusers or sound distributors are used to prevent sound distortions in the rooms such as echoes. It is a great alternative or addition to sound absorption as the diffusers use sound energy rather than remove it in order to effectively reduce the different echoes and reflections while leaving live sounding room. In comparison with a reflective surface which makes it possible to reflect most of the energy at an angle that corresponds to the angle of incidence, the diffuser will emit sound energy in many directions, thus creating the expansion of acoustic space. Equally relevant is the fact that the diffuser distributes reflections in time and space. Diffusers can contribute to the diffusion of sound but more often they are used to remove echoes and other acoustic interference. They are suitable for acoustic concert halls, theaters, recording studios and home cinemas. We produce both MLS and QRD type diffusers.

Sound diffusion panels may have different shape and layout of the room therefore acoustic elements of each project are prepared individually and are based on the room acoustic analysis.

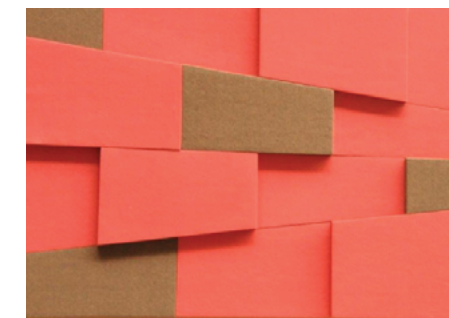


The Pianissimo sound absorbers

Acoustic comfort with additional design effect. In high traffic areas where there are many people communicating with each other by telephone and personally the planned space absorbing acoustics provided by the ceiling, floor and furniture is often not enough. The working process is disrupted for all people staying in the room. People are no longer able to concentrate, they experience additional stress and it is impossible to work productively. The long-term exposure to noise can traumatize the human hearing.

In such situations the sound absorption element Pianissimo produced by Glastik absorbs and removes excess noises, reduces the reverberation time and perfectly helps to improve the room acoustics.

Furthermore the absorbers are also great design objects that can be printed on in order to create a pleasant room setting. Pianissimo elements in different shapes, colors and textured fabrics are available. These can be freely fixed in any place as well as removed without damaging the surfaces.





Doors, access panels

Polish Committee for Standardization,
Warsaw, Poland

Interior doors are one of the functional elements of the premises, and each customer may have different requirements. This applies to both the technical features and the design as well as to usable accessories.

Glastik offers custom-made object interior doors. Noise resistant, Fire resistant and internal doors are available. Door manufacturing process takes into account the customers' requirements in terms of design, materials, decorative trim and door lock function. The doors offered by Glastik are incorporated into the common wall finishing system forming a uniform design and finish.

Doors are manufactured with high accuracy with more than 100 different types of veneer as well as different options of the integration of accessories are available for finishes.

Access panels can be integrated into the wall panel or ceiling panel up on request or supplied separately in order to be installed on site. B-s1, d0 access panels are available on request.



Solo perforation types

P40

P40 8/32/4X4
 $\text{Ø}=8$; A=32; B=39;
 C=39; E=32; E2=46

P40 7/16/10X10
 $\text{Ø}=7$; A=16; B=28;
 C=28; E=16; E2=56

P40 3/16/6X6
 $\text{Ø}=3$; A=16; B=20;
 C=20; E=16; E2=40

P50

P50 14/2/10/16
 $\text{Ø}=10$; A=16; B=2; D=32;
 E=16; F=3

P50 29/3/10/16
 $\text{Ø}=10$; A=16; B=3; D=32;
 E=32; F=3

P50 5/3/10/32
 $\text{Ø}=10$; A=32; B=3; D=32;
 E=8; F=3

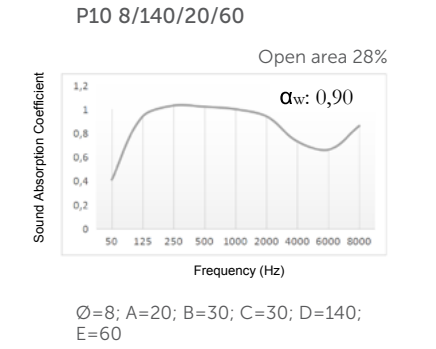
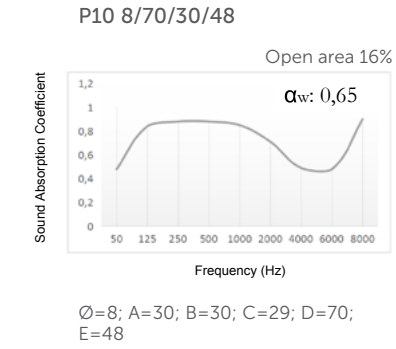
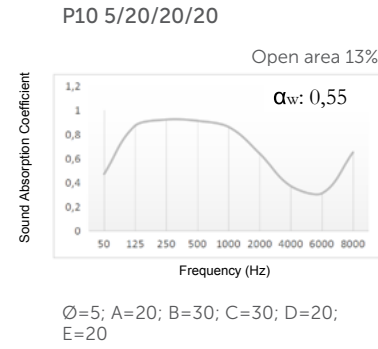
P70

P70 12/3
 A=12; B=3

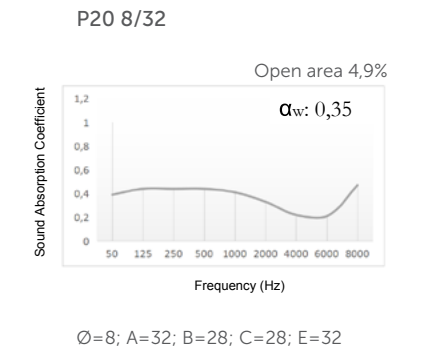
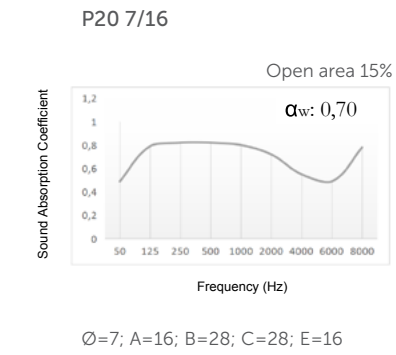
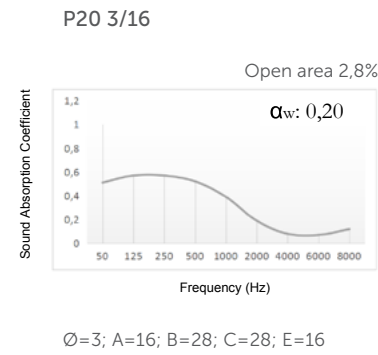
P70 27/3
 A=27; B=3

P70 46/4
 A=46; B=4

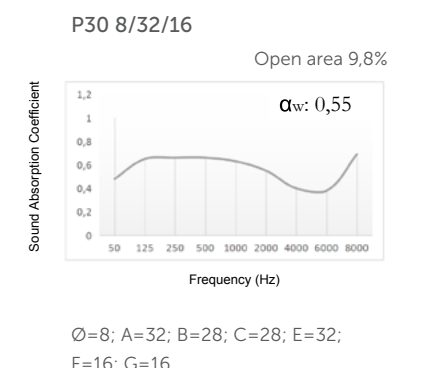
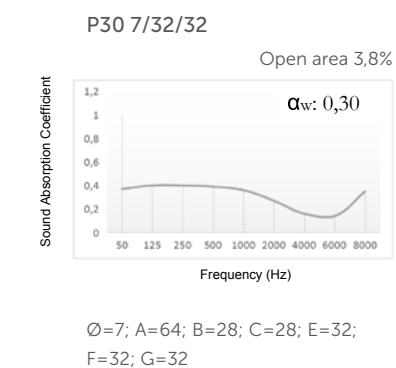
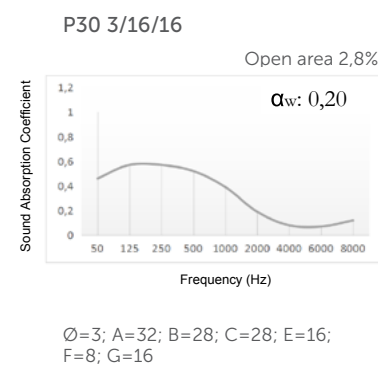
P10



P20

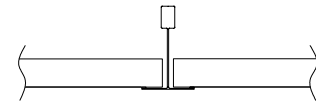
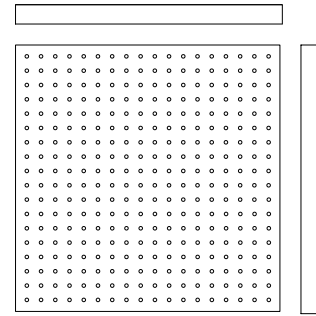


P30

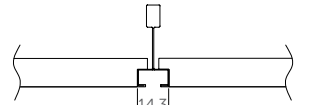
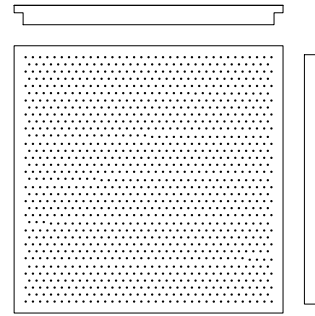


Ceiling systems

System R
exposed, demountable

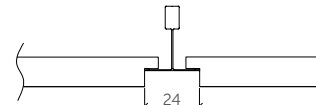
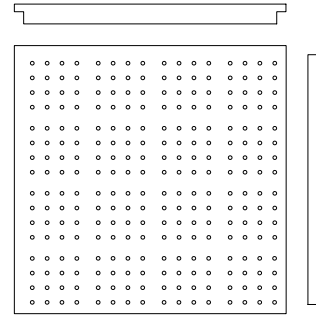


System R2
exposed, demountable

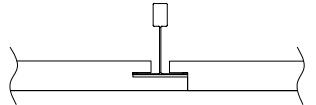
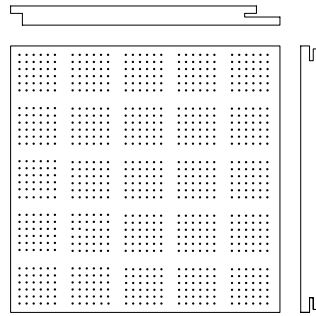


* Optional pre-installed LED strip

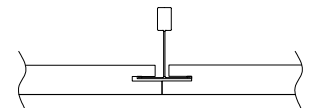
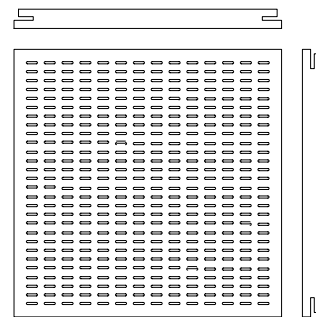
System I
exposed-immersed, demountable



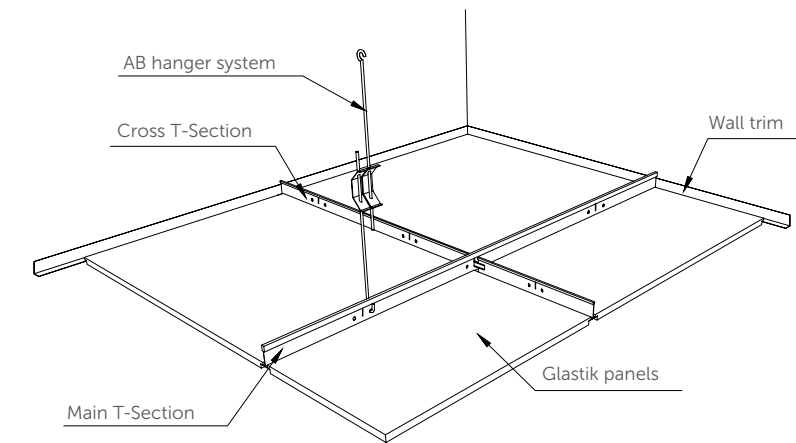
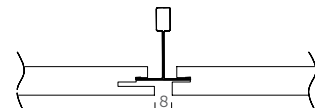
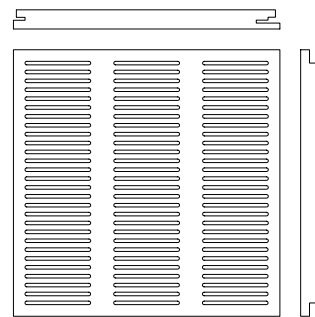
System S
concealed, demountable



System S2
concealed, non-demountable

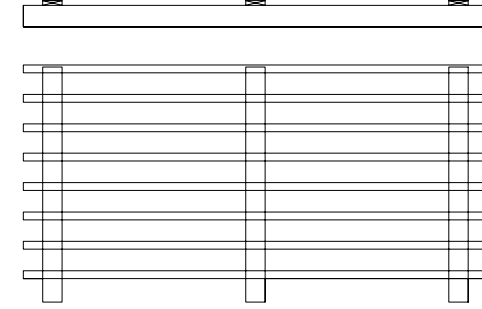


System S3
concealed with shadow gap, demountable

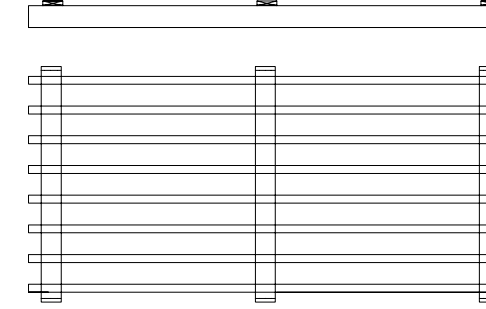


Solo linear panels

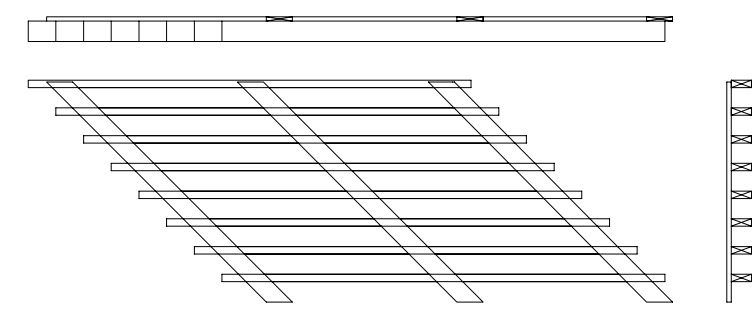
X 552055 type



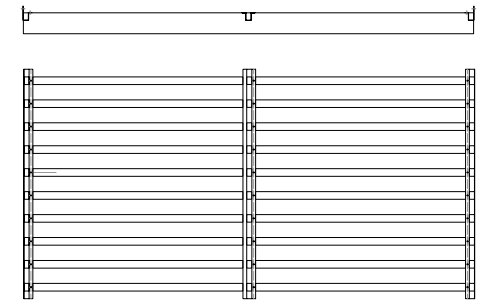
T 552055 type



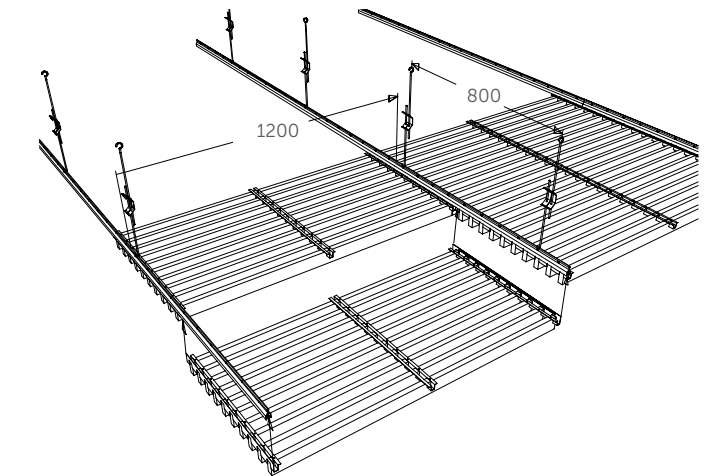
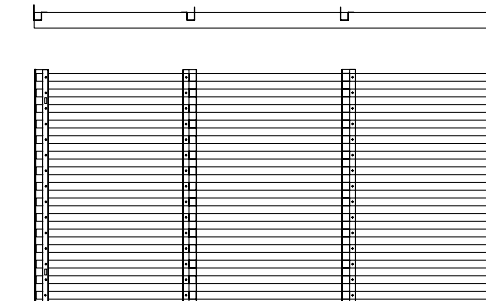
X 552055 type special



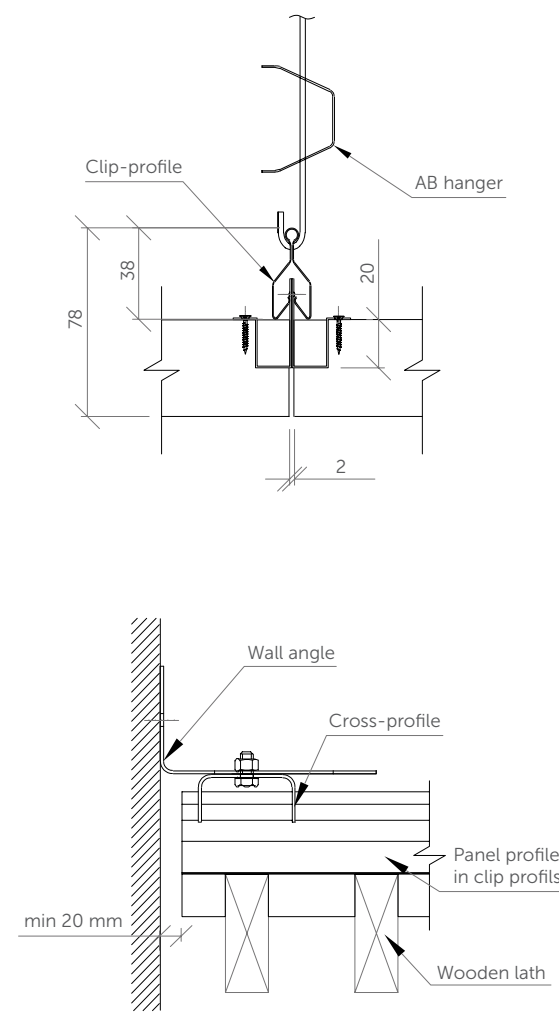
Clip-In S502040 type



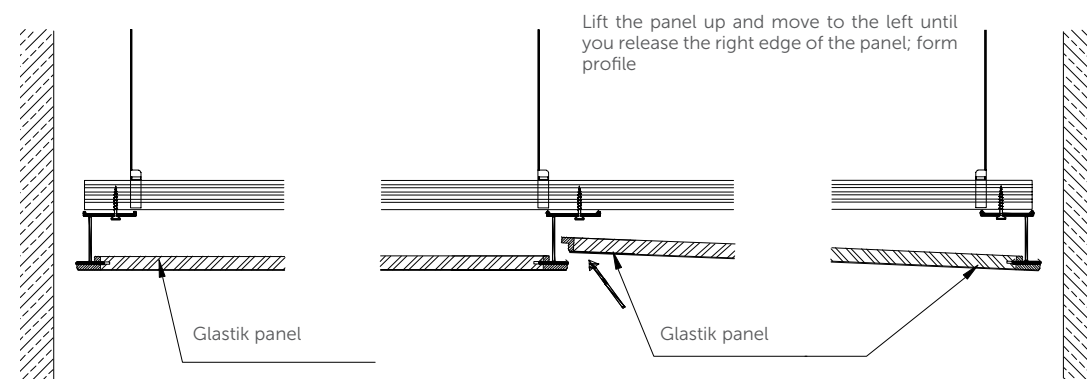
Clip-In S402020 type



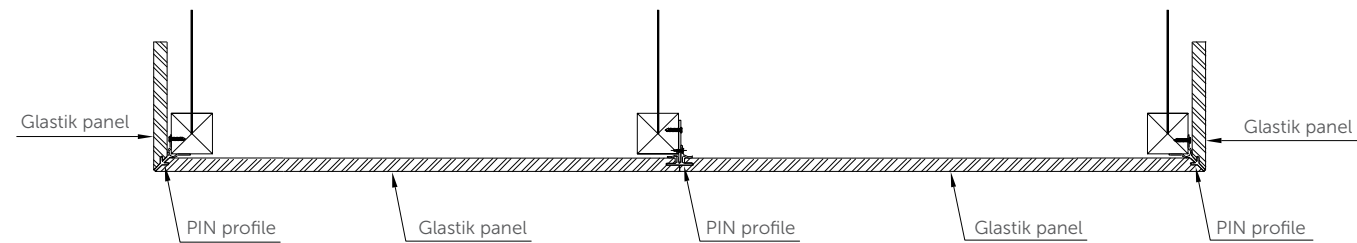
Clip-In system for ceilings



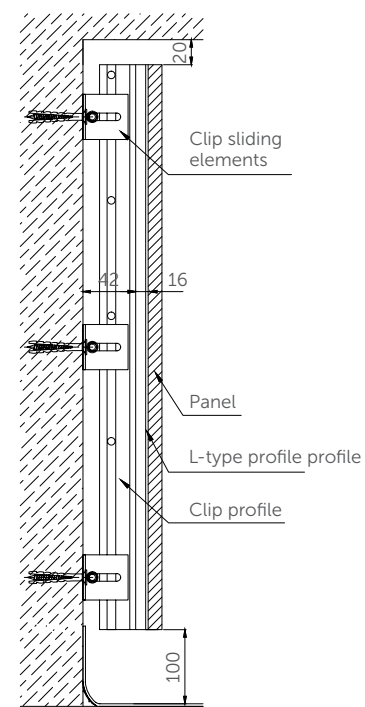
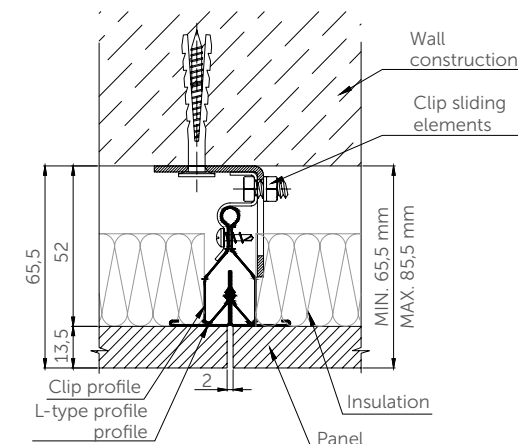
PIN system for ceilings



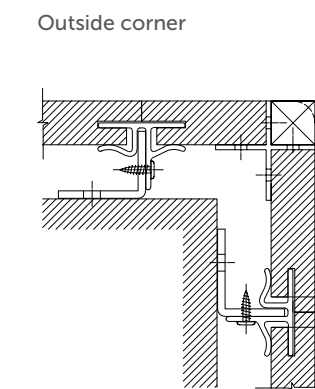
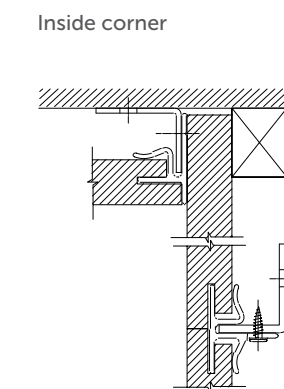
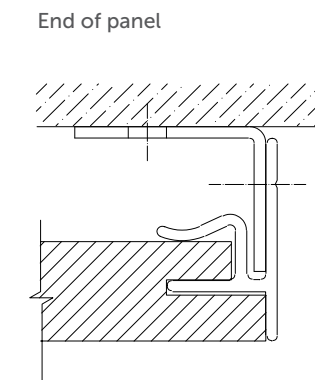
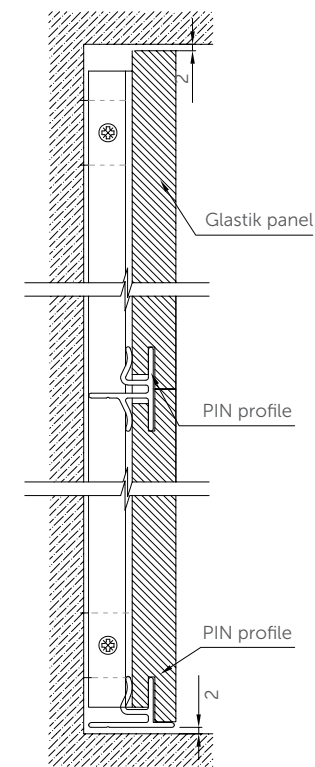
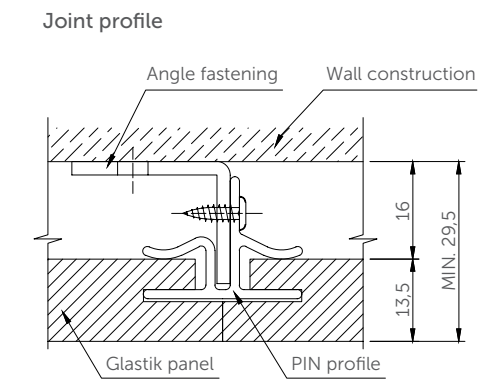
PIN system for suspended islands



Clip-In system for walls

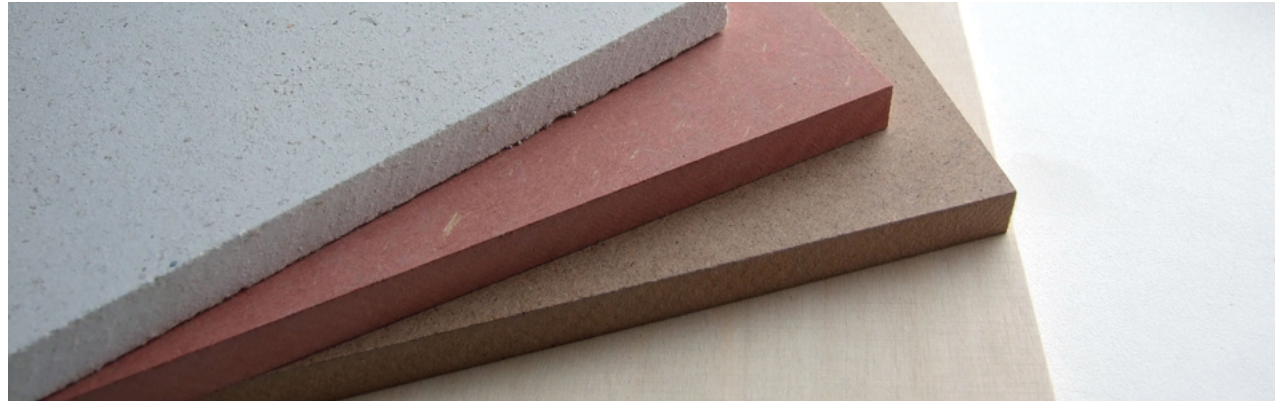


PIN system for walls



Materials used

The company Glastik offers its customers a choice of different raw materials for their projects. For the base MDF/Fire retardant MDF, Pine or birch Plywood/Fire retardant pine or birch plywood, Gypsum Fiberboard, Calcium sulphate boards from the leading global manufacturers can be selected. Standard core thickness is 12 mm, other core thickness is available on request.



Core	Gypsum Fiberboard 12,5mm						MDF/Moisture resistant MDF/Fire retardant MDF 12mm						Birch/Pine Plywood 12mm							
Fire rate	-	B-s1, d0	-	B-s1, d0	-	B-s1, d0	-	B-s1, d0	-	B-s1, d0	-	B-s1, d0	-	B-s1, d0	-	B-s1, d0	-	B-s1, d0	-	-
Surface	Wood veneer		HPL		Paint		Wood veneer		HPL		Paint		Stain and/or varnish		Wood veneer		HPL		Paint	
Thicknes	13mm	13mm	14,3mm	14,5mm	12,7mm	12,7mm	12,5mm	12,5mm	13,8mm	14mm	12,2mm	12,2mm	12mm	12mm	12,5mm	12,5mm	13,9mm	14mm	12,2mm	12,2mm
Max size	3000x900mm						3000x900mm						3000x900mm/2500x900mm (B-s1, d0)							
Ideal size	300x600, 600x600, 1200x600, 2400x600						300x600, 600x600, 1200x600, 2400x600						300x600, 600x600, 1200x600, 2400x600							

Acoustic fleece

The highest quality non-woven fire retardant acoustic fleece with different thickness and color is used to improve the acoustic properties of panels, custom color or print is available



Finishing materials

More than 100 types of natural and modified veneer and high pressure laminates can be chosen for panel finishes. The products manufactured by Glastik can also be painted according to the RAL or NCS catalogue. The choice is yours!



Natural wood veneer



Beech



Ash



Oak



American walnut



Teak

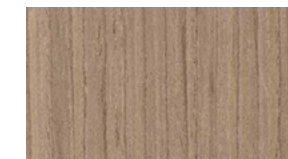


Birch

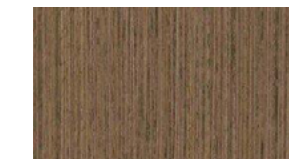
Modified wood veneer



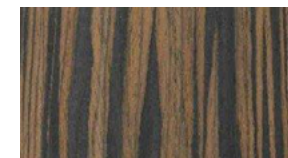
Mahogany



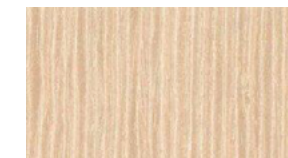
Canadian walnut



Venge



Makasars ebony



Oak graphic / radial



Cherry

Veneer grade



Premium

- Striking and well-defined grain
- Clear colour and structure
- Veneer that is excellent for decorative use
- Small, scarcely noticeable character traits are tolerated



Superior

- Structure with less texture
- Slight colour variations are allowed
- Small knots in the wood
- Half crown cut may occur



Base

- Small, centred knots
- Less emphasis on structure
- Larger and more prominent knots
- Discoloration
- Mineral streaks

Epilogue

Due to its aesthetic and functional properties wood has become an integral part of the 21st century's architectural and interior design. New technological capabilities allow it effectively to integrate in the human environment in various forms thereby improving the quality of a modern space even to the smallest nuances.

The company Glastik is specialized in the manufacturing of wooden finishing materials. In order to achieve a harmonious room design a successful color, shape and sound interaction is required. Pursuant to this concept as well as understanding the customers' needs and technological features of wood-processing the products that meet high-quality design, fire safety and acoustic requirements have been created.

Glastik ||| Acoustic and Wood Solutions

"Dižkačas", Kekava county,
Kekava, LV-2123, Latvia

Phone: +371 29804296, +371 29415832

Email: info@glastik.lv

Web: www.glastik.lv

GPS: 56° 48' 41.09448708",
24° 11' 11.19174576"

